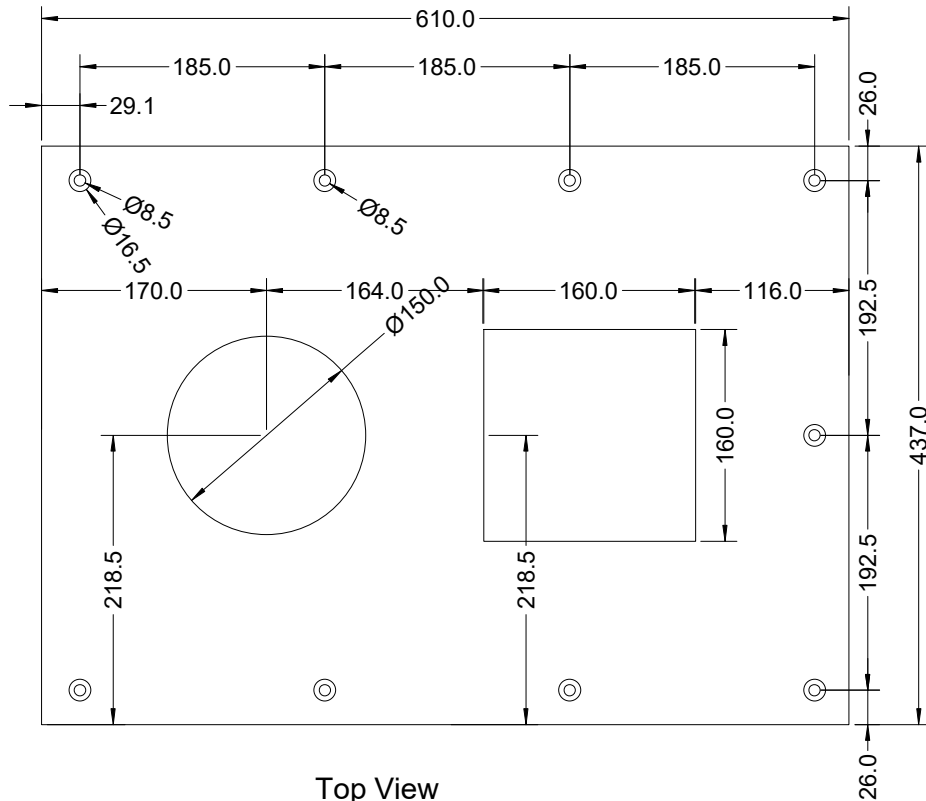


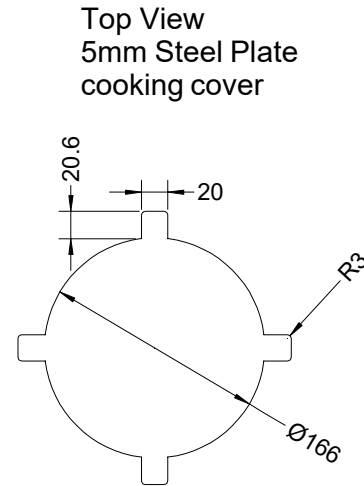
# KG5.2-v1.2-18 Steel Top

Model KG5.2  
Version 1.2  
17 Nov 2017

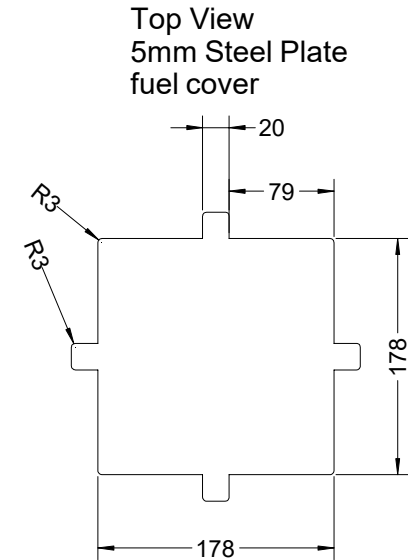
C Pemberton-Pigott



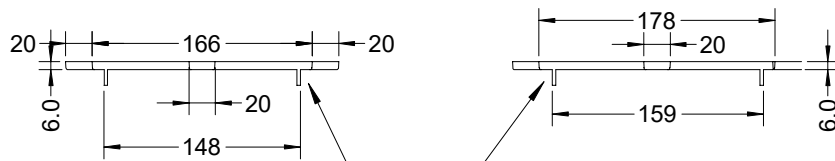
Top View  
5mm Steel Plate



Top View  
5mm Steel Plate  
cooking cover

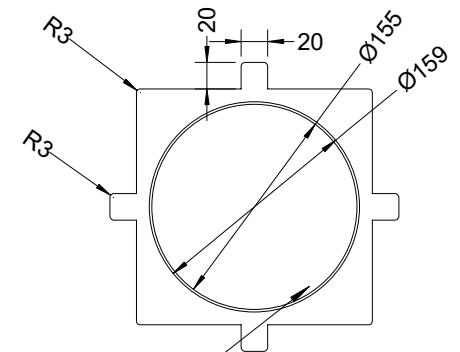
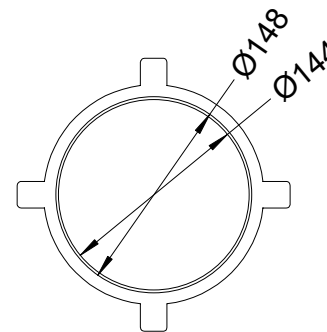


Top View  
5mm Steel Plate  
fuel cover



Cut strip 20mm x 2 to make a circular  
brace under the lids.

The lid must fit loosely in the hole  
because it will get very hot and  
expand,



Weld on inside only